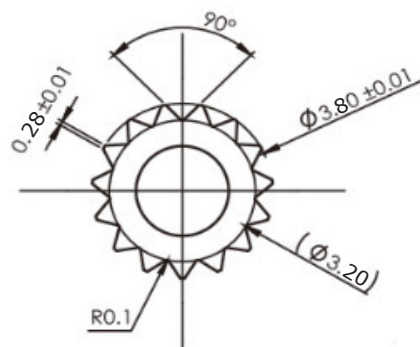
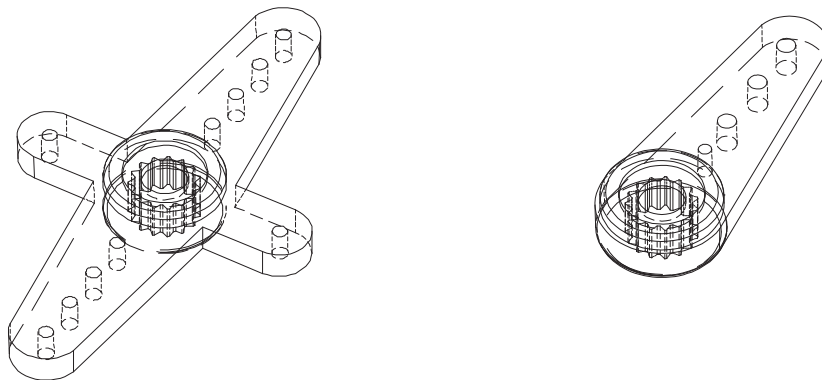
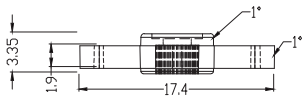
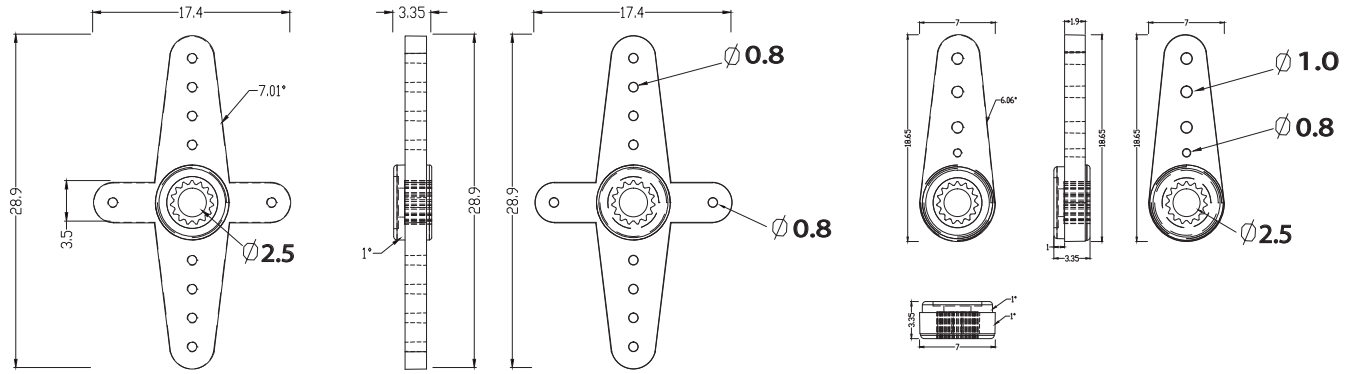


15T-k-pom-arm:



output shaft spline 15T $\varnothing 3.8$ mm