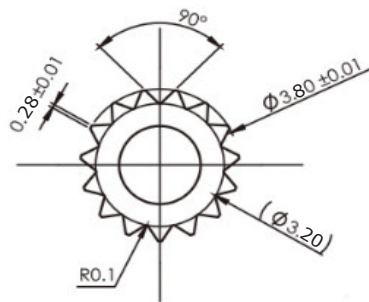
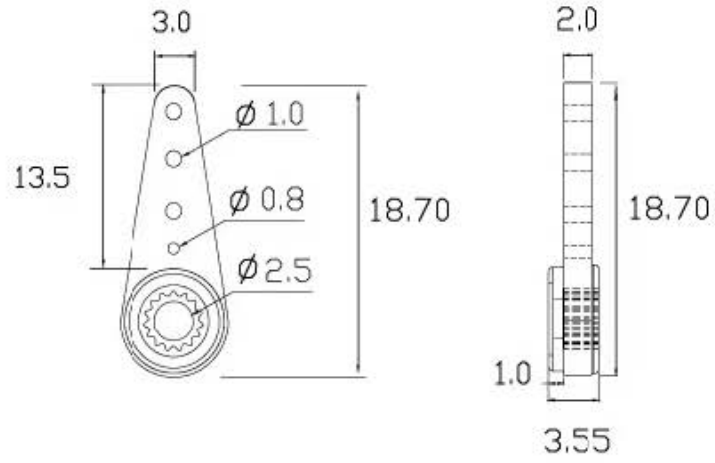


# 15T-Aul-arm-01:



output shaft spline 15T  $\phi 3.8$  mm